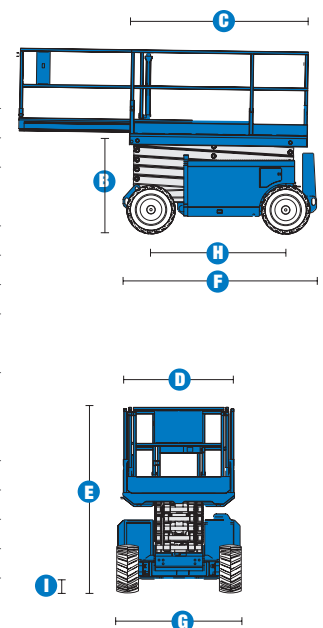
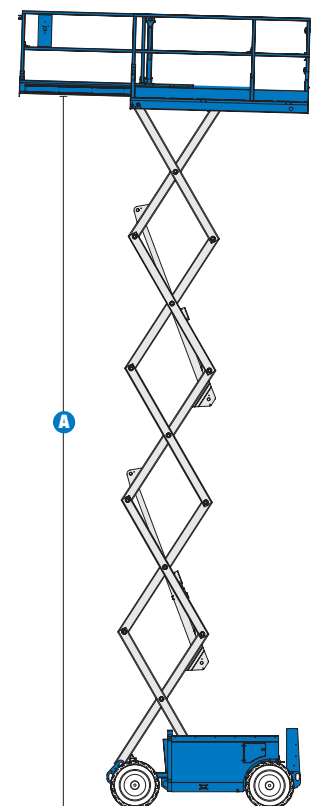


Specifications

MODELS	GS™-2668 RT		GS™-3268 RT	
MEASUREMENTS	Metric	US	Metric	US
Working height maximum*	9.92 m	32 ft	11.75 m	38 ft
A Platform height maximum	7.92 m	26 ft	9.75 m	32 ft
B Platform height - stowed	1.19 m	3 ft 10.75 in	1.31 m	4 ft 3.75 in
C Platform length - outside	2.51 m	8 ft 3 in	2.51 m	8 ft 3 in
- extended	2.96 m	9 ft 9 in	2.96 m	9 ft 9 in
Slide-out platform extension deck	1.10 m	3 ft 6 in	1.10 m	3 ft 6 in
D Platform width - outside	1.55 m	5 ft 1 in	1.55 m	5 ft 1 in
Toeboard height	15 cm	6 in	15 cm	6 in
E Height - stowed**	2.32 m	7 ft 7.5 in	2.57 m	8 ft 5 in
rails lowered	1.70 m	5 ft 7 in	1.83 m	6 ft
F Length - stowed	2.67 m	8 ft 9 in	2.67 m	8 ft 9 in
platform extended	3.75 m	12 ft 4 in	3.75 m	12 ft 4 in
with outriggers	3.43 m	11 ft 3 in	3.43 m	11 ft 3 in
G Width	1.73 m	5 ft 8 in	1.73 m	5 ft 8 in
H Wheelbase	1.85 m	6 ft 1 in	1.85 m	6 ft 1 in
I Ground clearance - centre	20 cm	8 in	20 cm	8 in



PRODUCTIVITY				
Maximum platform occupancy (indoor/outdoor)	4/4	4/4	4/2	4/2
Lift capacity	567 kg	1,250 lbs	454 kg	1,000 lbs
Drive speed - stowed	6.1 km/h	3.8 mph	6.1 km/h	3.8 mph
Drive speed - raised	0.8 km/h	0.5 mph	0.8 km/h	0.5 mph
Gradeability-stowed***	35%	35%	30%	30%
Maximum outrigger levelling:				
front to back	6.6°	6.6°	6.6°	6.6°
side to side	10.6°	10.6°	10.6°	10.6°
Turning radius - inside	1.52 m	5 ft	1.52 m	5 ft
Turning radius - outside	3.68 m	12 ft 1 in	3.68 m	12 ft 1 in
Raise/lower speed	30/35 sec	30/35 sec	40/37 sec	40/37 sec
Controls	proportional	proportional	proportional	proportional
Drive	four wheel	four wheel	four wheel	four wheel
Tyres - rough terrain	30 x 60 cm	12 x 23.5 in	30 x 60 cm	12 x 23.5 in



POWER				
Power source	Kubota D-1105 Diesel 24.9 hp (18.6 kW) Kubota petrol/LPG 23 hp (17 kW) Perkins 403D-11 Diesel 26 hp	Kubota D-1105 Diesel 24.9 hp (18.6 kW) Kubota petrol/LPG 23 hp (17 kW) Perkins 403D-11 Diesel 26 hp		
Fuel tank capacity	56.8 L	15 gal	56.8 L	15 gal
Hydraulic system capacity	62.5 L	16.5 gal	62.5 L	16.5 gal

WEIGHT****				
CE max	3,236 kg	7,194 lbs	3,771 kg	8,314 lbs
Weight modifiers for options:				
Outriggers	add 483 kg	1,064 lbs	483 kg	1,064 lbs
Generator	add 48 kg	105 lbs	48 kg	405 lbs
Non marking rough terrain tyres	add 323 kg	712 lbs	add 323 kg	712 lbs

STANDARDS COMPLIANCE	CE EN280, PB-10-611-03
----------------------	------------------------

* The metric equivalent of working height adds 2 m to platform height. U.S. adds 6 ft to platform height.

** Based on RT tyres; deduct 5.8 cm (2 in) for turf and non-marking tyres.

*** Gradeability applies to driving on slopes. Gradeability may vary depending on the weight of options installed on machine. See Operator's Manual for details regarding slope ratings.

**** Weight varies depending on options and country standards.

Features

STANDARD FEATURES

MEASUREMENTS

GS™-2668RT

- 9.92 m (32 ft) working height
- Up to 567 kg (1,250 lb) lift capacity

GS™-3268RT

- 11.75 m (38 ft) working height
- Up to 454 kg (1,000 lb) lift capacity

PRODUCTIVITY

- 2.51 x 1.55 m (8 ft 3 in x 5 ft 1 in) steel frame with replaceable aluminium deck
- 1.22 m (4 ft) platform extension deck
- Folding guardrails
- Proportional lift and drive
- Onboard diagnostic system
- AC power to platform
- Full-height swing gate
- 4x4
- Positive traction control
- Four-wheel braking
- Swing-out engine tray
- Foam-filled rough terrain tyres
- Tilt level sensor with audible alarm
- Descent alarm
- Horn
- Hour meter
- Certified load sensor

POWER

- Kubota D-1105 Diesel 24.9 hp (18.6 kW)



OPTIONS & ACCESSORIES

PRODUCTIVITY

- Automatic levelling hydraulic outriggers
- Air line to platform
- Non-marking rough terrain tyres 30 x 60 cm (12 x 23.5 in)
- Dual flashing beacons
- Motion alarm
- Platform work lights
- Biodegradable hydraulic oil

POWER

- Kubota diesel 24.9 hp (18.6 kW)
- Kubota petrol/LPG 23 hp (17 kW)
- Perkins 403D - 11 Diesel 26 hp
- 2000 watt generator (110 V/60 Hz)
- Cold weather packages for all engines (not CE)
- Diesel scrubber (Perkins)
- Hydraulic oil cooler
- LPG steel tank only, 15 kg (33.5 lb) capacity