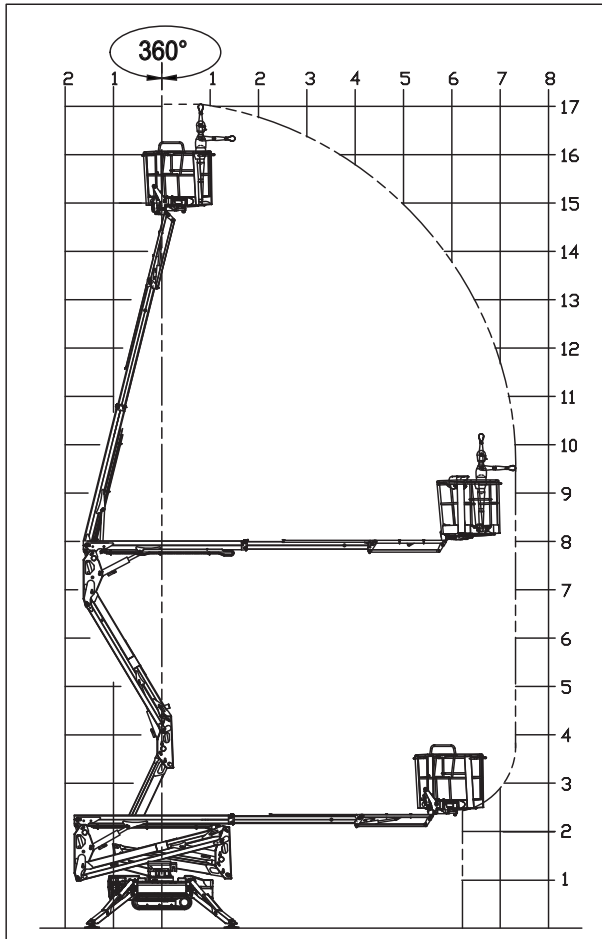
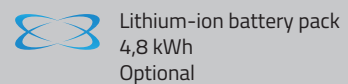
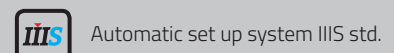
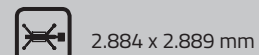
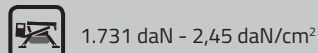
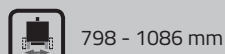
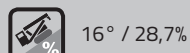
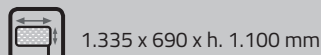
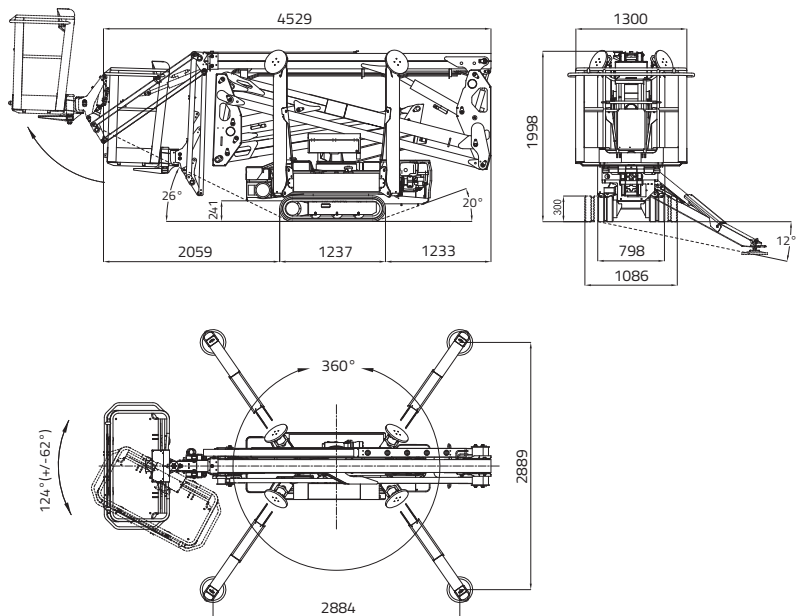


**LL17.75 MK2**



**CAPACITY 230 KG**  
(2 persons 80x2=160 kg + tool box 70 kg)



 LL17.75 *MK2*



**PETROL ENGINE**

Brand.....HONDA  
 Type .....GX390  
 Pistons no. and displacement.....  
 ..... single-cylinder 389 cm<sup>3</sup>  
 Max gross power .....  
 11,7HP - 8,7 kW @ 3600 rpm (GX390)  
 Electrical start..... 12 volt

**DIESEL ENGINE**

Brand..... HATZ  
 Type ..... 1B40 - HD Autovrev  
 Pistons no. and displacement.....  
 ..... single-cylinder 462 cm<sup>3</sup>  
 Max gross power .....  
 ..... 10 HP - 7,5 kW @ 3600 rpm  
 Electrical start..... 12 volt

**LITHIUM-ION SYSTEM**

Lithium-ion powered ..... 4,8 kWh  
 Onboard battery charger.....  
 ..... 220V 50Hz or 110V 50Hz  
 Autonomy..... 4-5 h  
 Recharge time on flat batteries .....  
 ..... .4 h (indicative)  
 Recharge time to 80% on flat batteries.  
 ..... 2 h (indicative)

**HYDRAULIC PUMPS**

Electric motor ..... no. 2 gear pumps

**TRACKED UNDERCARRIAGE**

Track tensioner ..... grease-filled  
 Rollers no. per side ..... 3 + slide

Translation speed with 3<sup>rd</sup> auto2speed:

- petrol engine ..... 0,6 - 1,4 - 2,7 km/h  
 - diesel engine ..... 0,7 - 1,8 - 3,6 km/h  
 - lithium system..... 0,4 - 0,8 - 1,6 km/h

WEIGHT MACHINE petrol / diesel engine ..... 2230 kg

WEIGHT MACHINE lithium system ..... 2300 kg

MAX WIND SPEED ..... 12,5 m/s